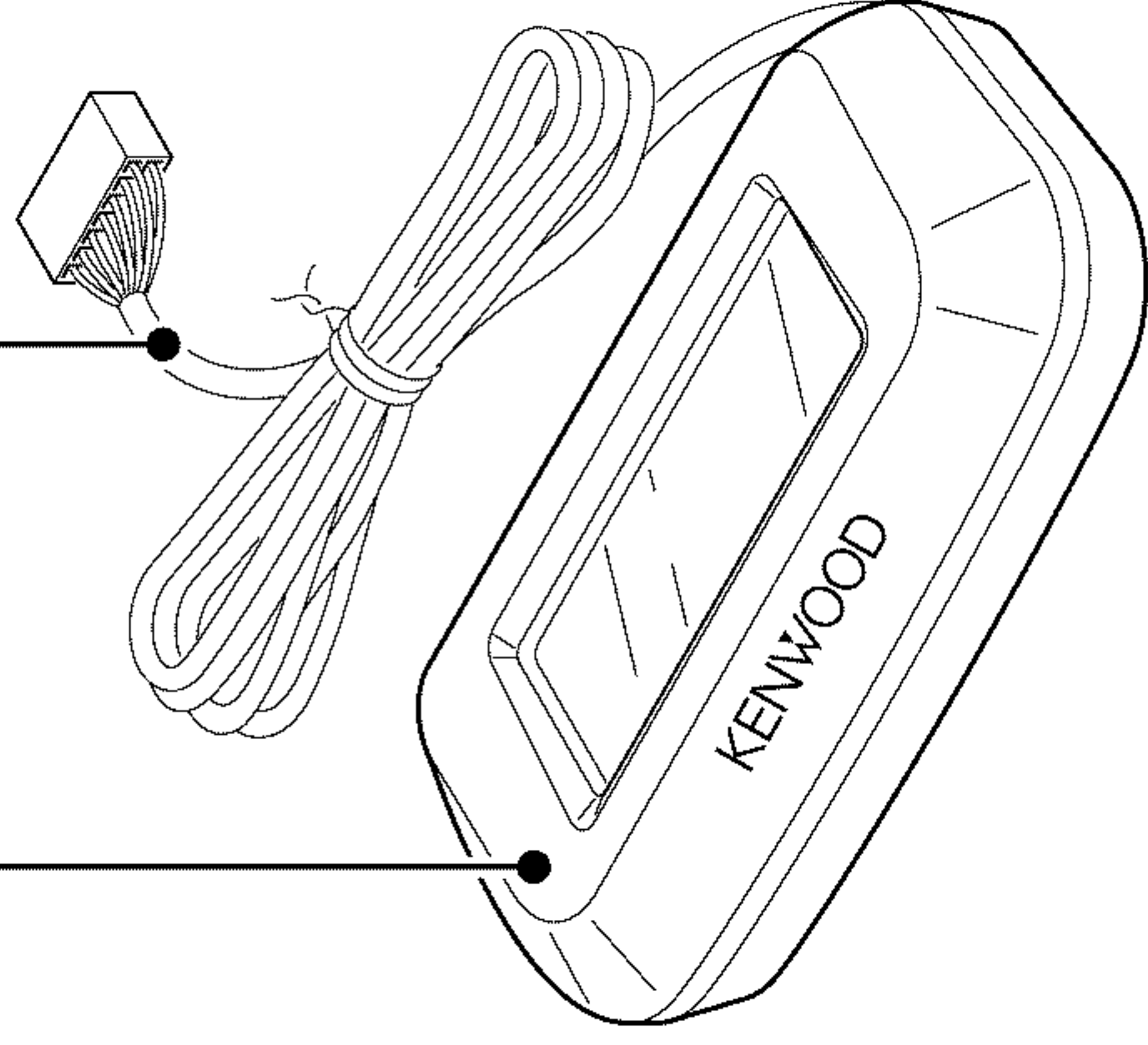


DISPLAY ADAPTER KPA-HD100 SERVICE MANUAL

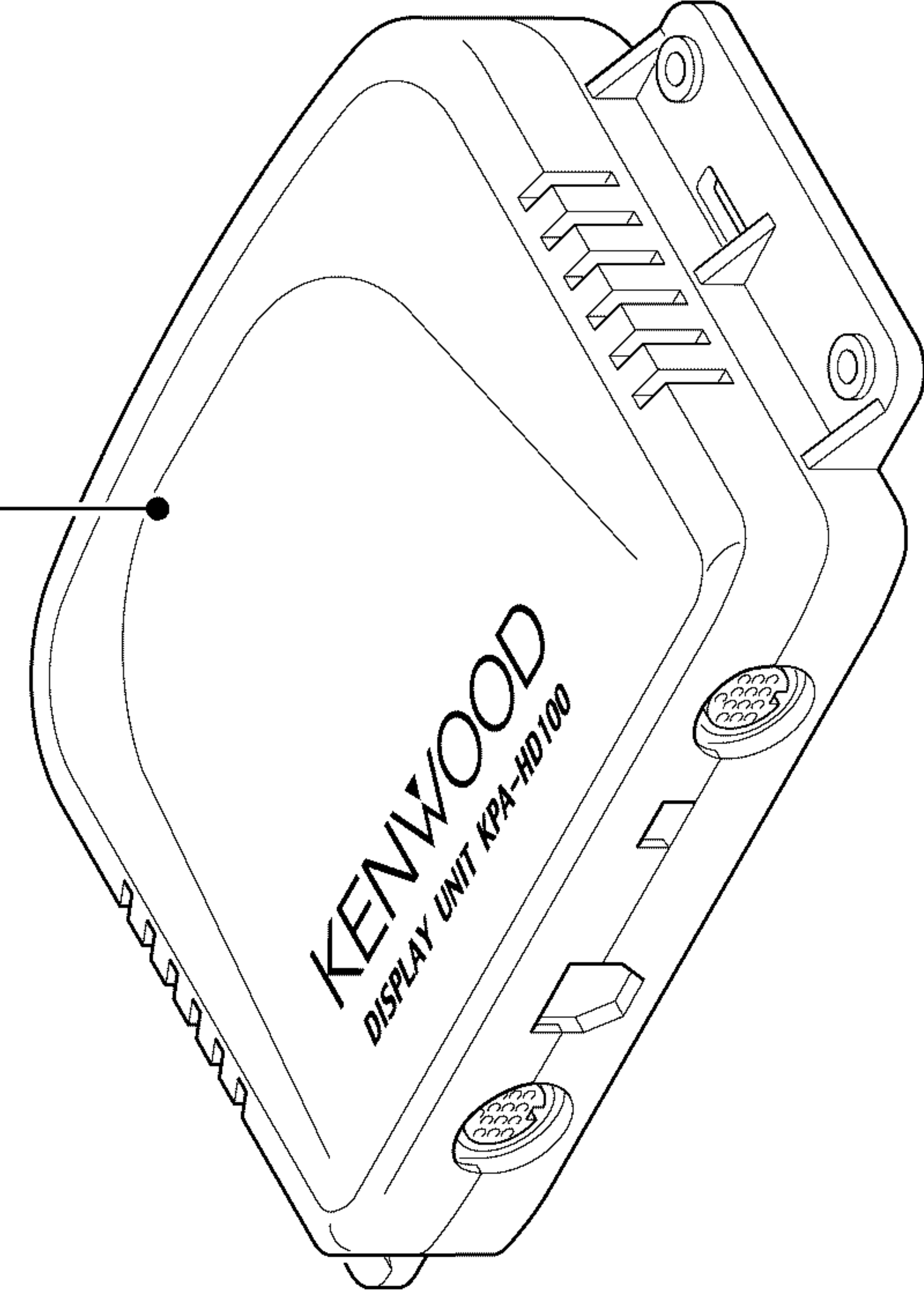
KENWOOD

© 2000-7 PRINTED IN JAPAN
B51-7649-00 (N) 3122

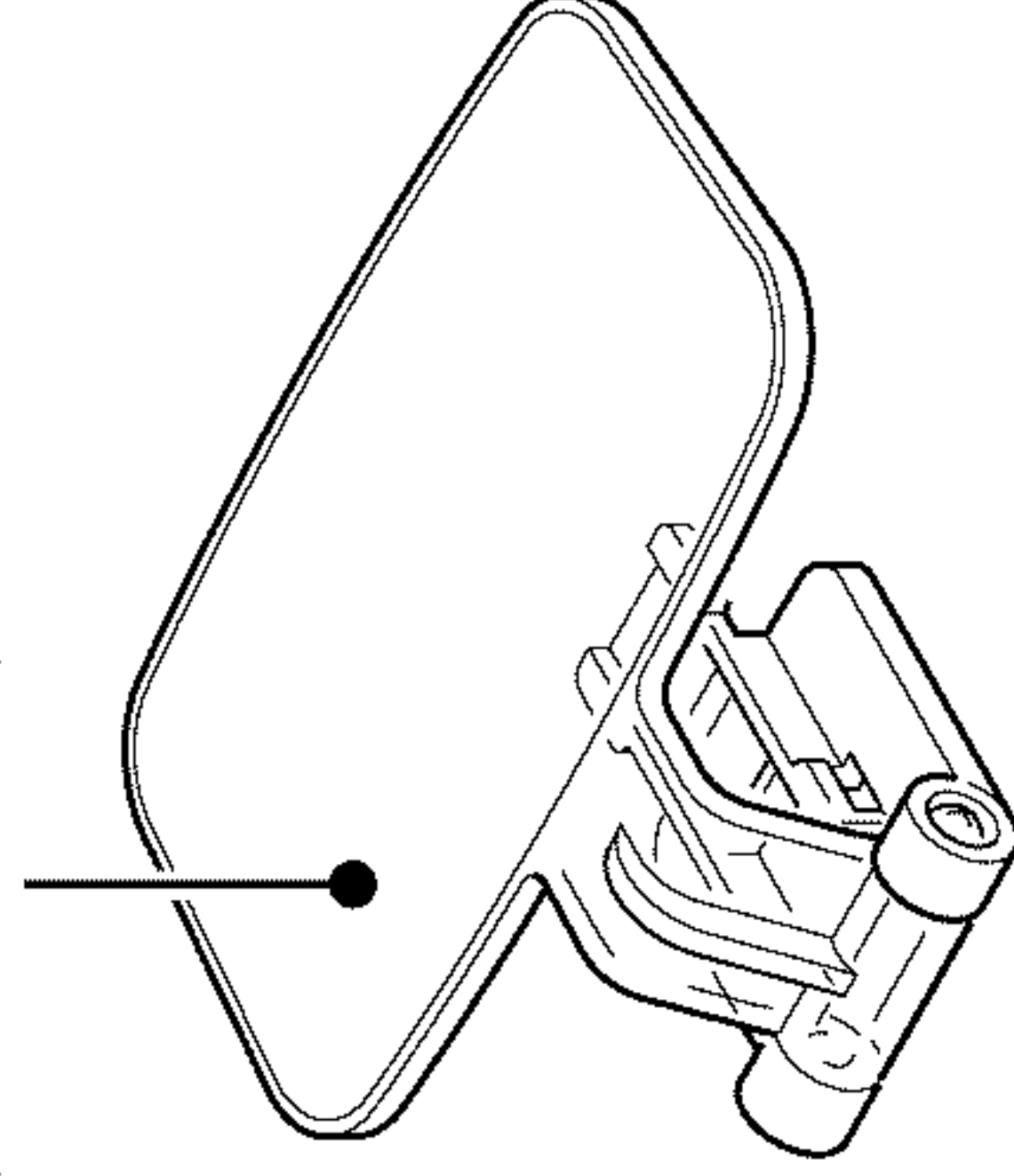
Plastic cabinet assy
(A02-2703-08)



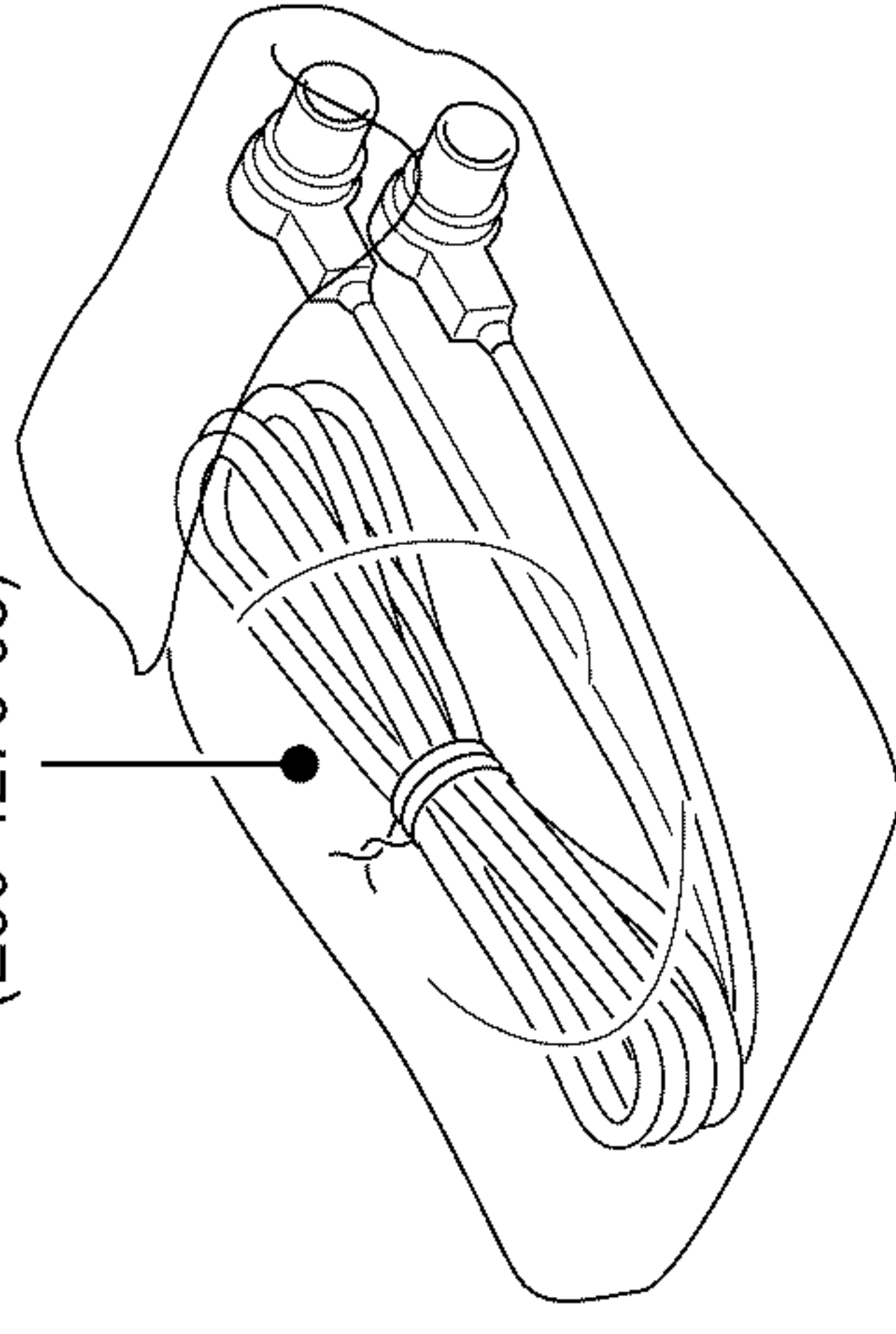
Plastic cabinet
(A02-1499-08)



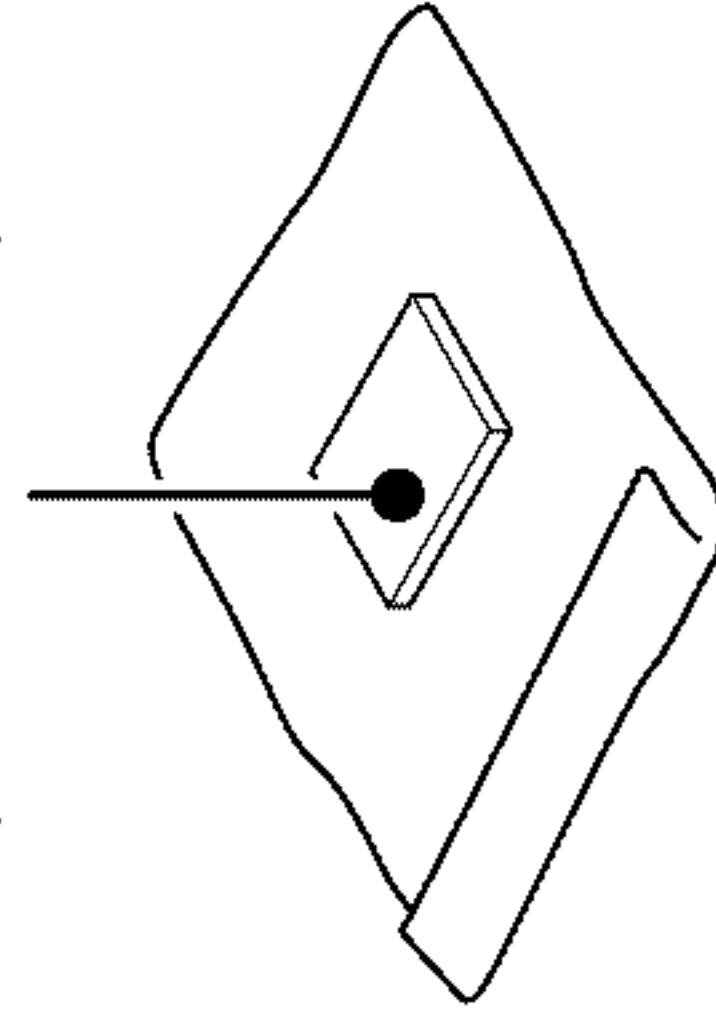
Mirror assy
(B19-2075-08)



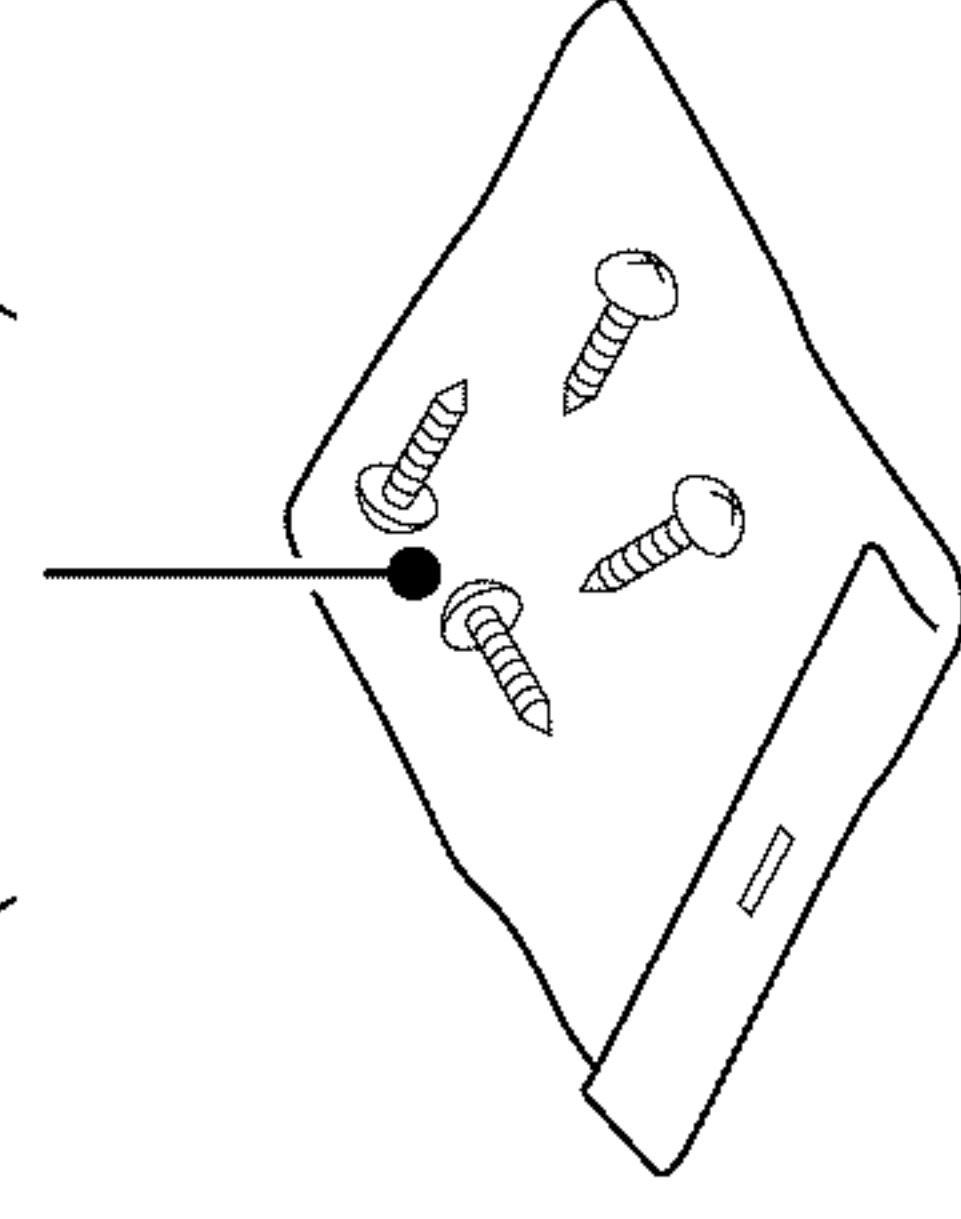
Cord with plug(13P DIN)
(E30-4276-05)



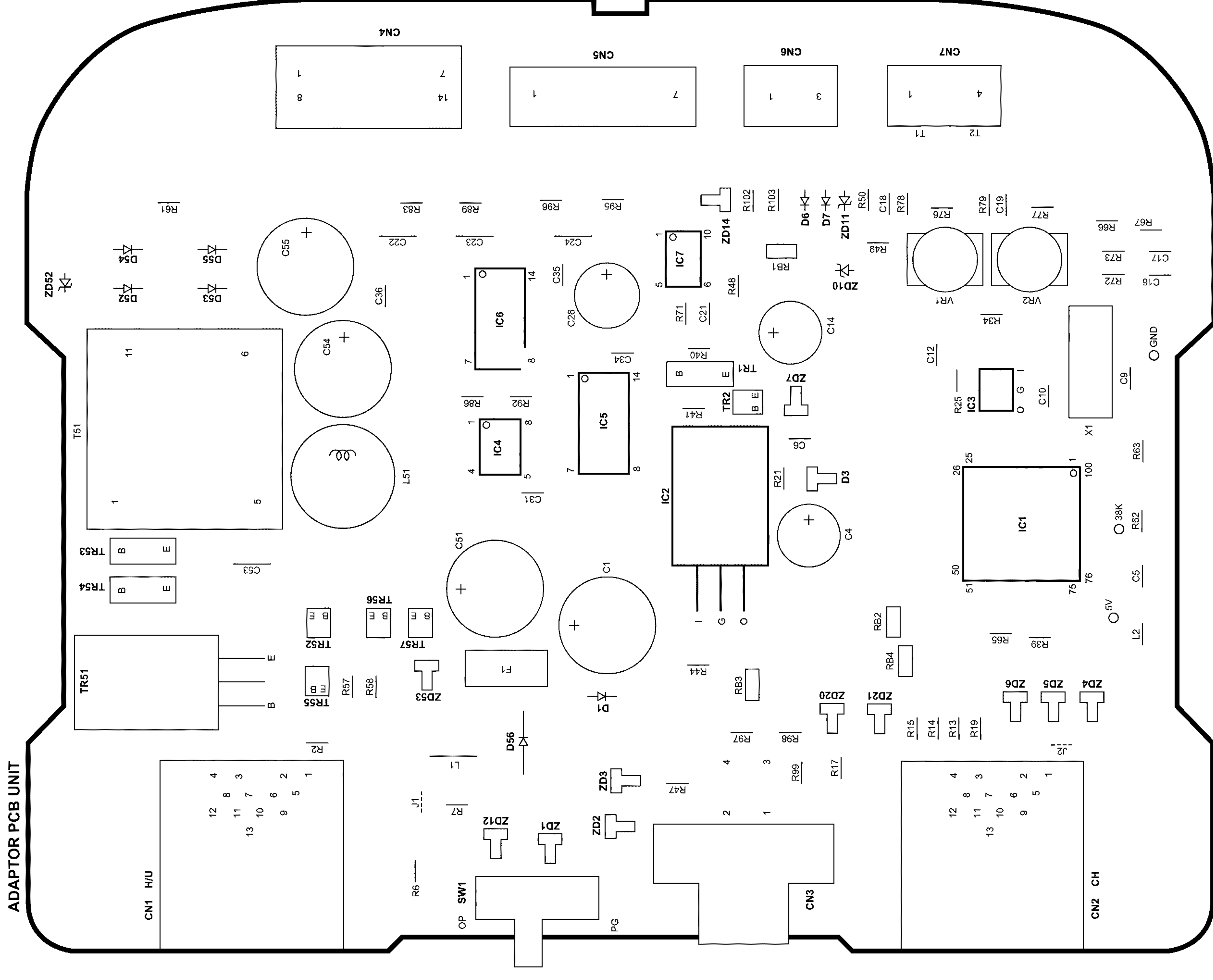
Adhesive double-coated tape
(H30-0535-08)



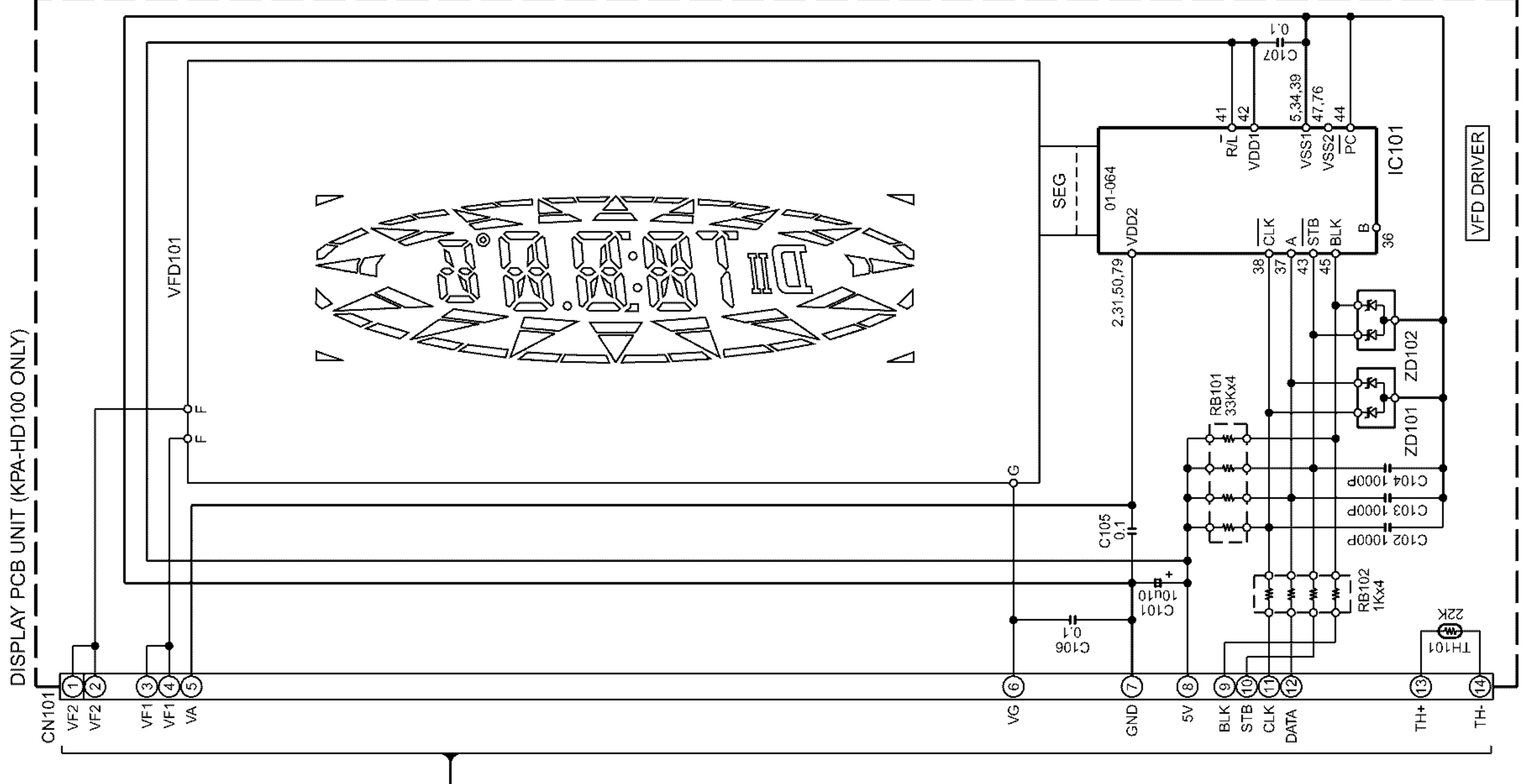
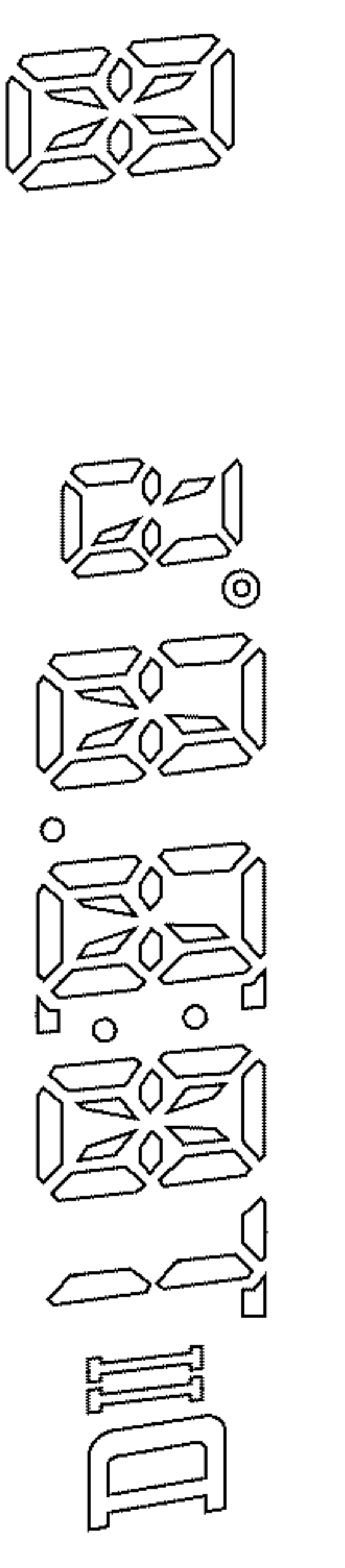
Screw set
(N99-1696-08)



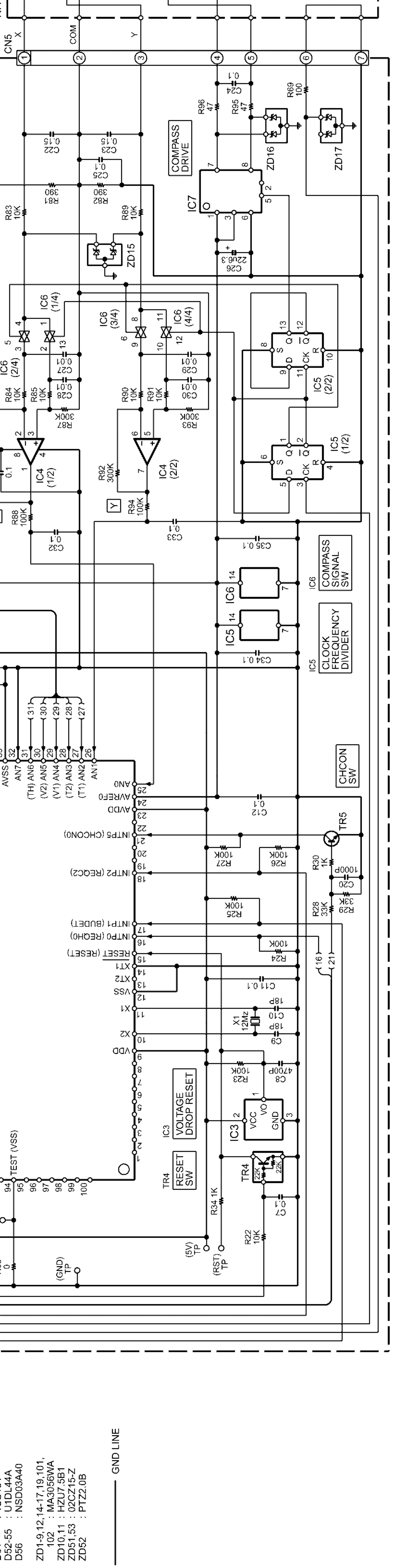
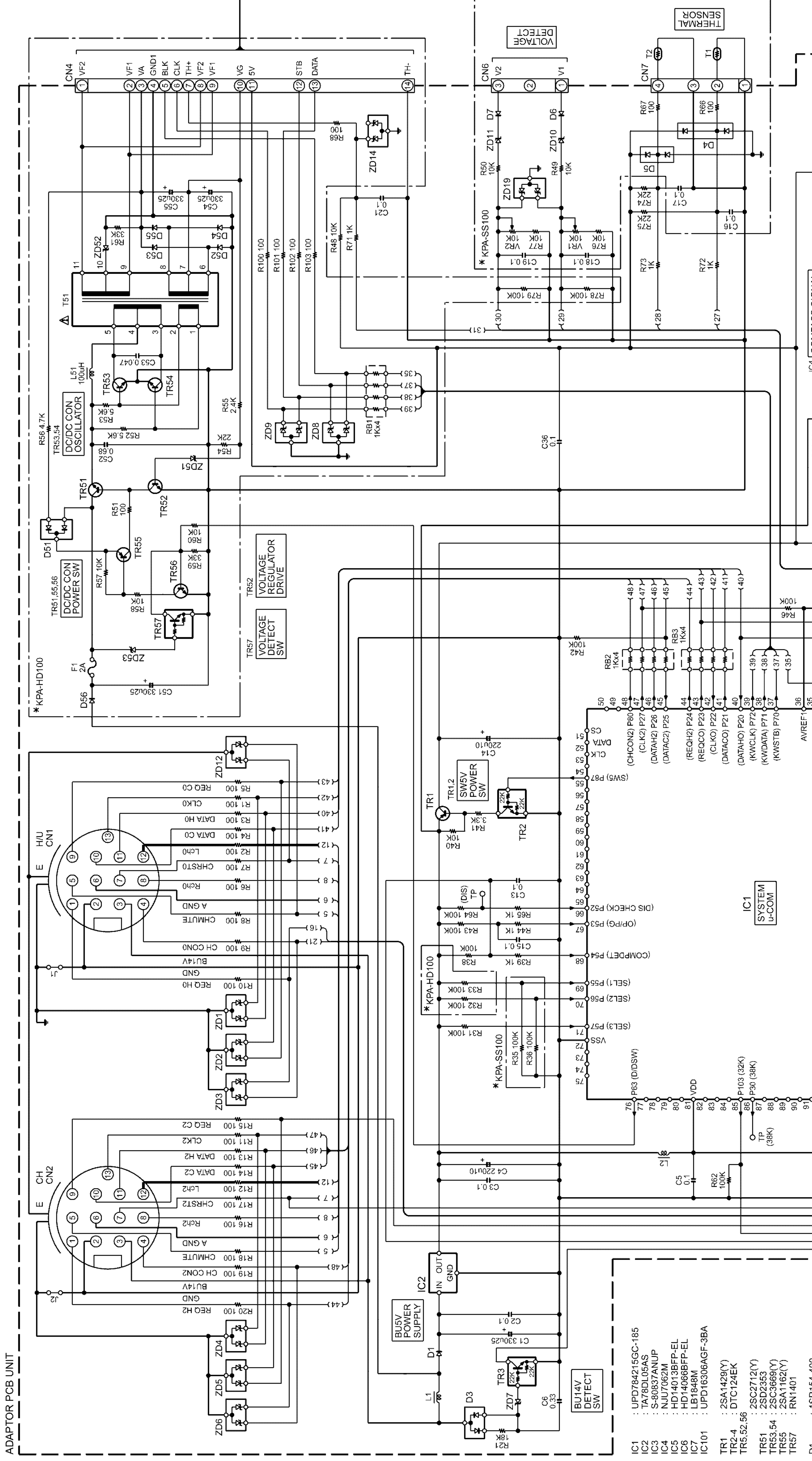
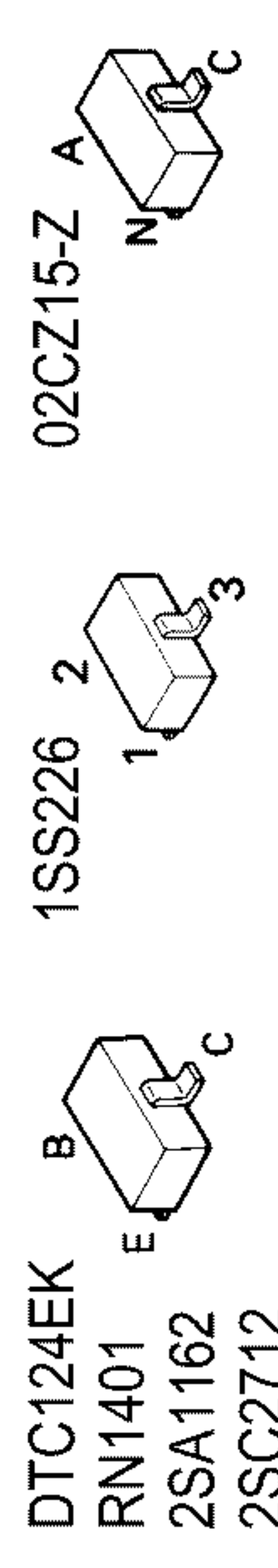
PC BORD (COMPONENT SIDE VIEW)



IC	address
1	6C
2	4C
3	6C
4	3C
5	4C
6	3D
7	4D



DRIVER IC		VFD(LED)		VFD(LED)			
PIN No.	PIN NAME	PIN No.	SEGMENT	PIN No.	SEGMENT		
51	01	36	S11	91	033	74	S1
52	02	37	S12	92	034	75	S2
53	03	38	S13	93	035	76	S3
54	04	39	S14	94	036	77	S4
55	05	40	S15	95	037	78	S5
56	06	41	S16	96	038	79	S6
57	07	42	S17	97	039	80	S7
58	08	43	S18	98	040	81	S8
59	09	44	S19	99	041	82	S9
60	10	45	S20	100	042	83	S10
61	11	46	S21	101	043	84	S11
62	12	47	S22	102	044	85	S12
63	13	48	S23	103	045	86	S13
64	14	49	S24	104	046	87	S14
65	15	50	S25	105	047	88	S15
66	16	51	S26	106	048	89	S16
67	17	52	S27	107	049	90	S17
68	18	53	S28	108	050	91	S18
69	19	54	S29	109	051	92	S19
70	20	55	S30	110	052	93	S20
71	21	56	S31	111	053	94	S21
72	22	57	S32	112	054	95	S22
73	23	58	S33	113	055	96	S23
74	24	59	S34	114	056	97	S24
75	25	60	S35	115	057	98	S25
76	26	61	S36	116	058	99	S26
77	27	62	S37	117	059	100	S27
78	28	63	S38	118	060	101	S28
79	29	64	S39	119	061	102	S29
80	30	65	S40	120	062	103	S30



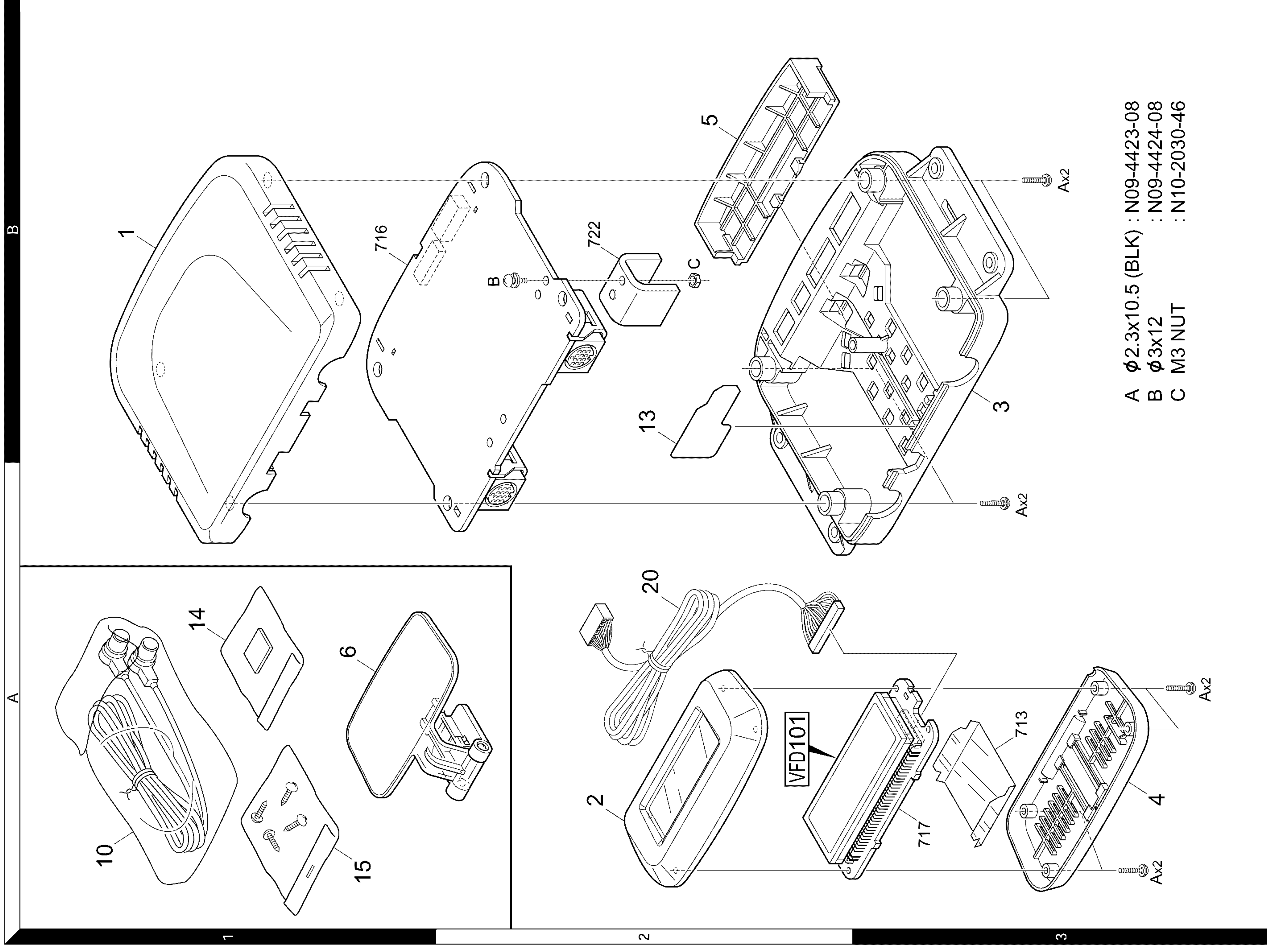
DRIVER IC		VFD(LED)		VFD(LED)			
PIN No.	PIN NAME	PIN No.	SEGMENT	PIN No.	SEGMENT		
51	01	36	S11	91	033	74	S1
52	02	37	S12	92	034	75	S2
53	03	38	S13	93	035	76	S3
54	04	39	S14	94	036	77	S4
55	05	40	S15	95	037	78	S5
56	06	41	S16	96	038	79	S6
57	07	42	S17	97	039	80	S7
58	08	43	S18	98	040	81	S8
59	09	44	S19	99	041	82	S9
60	10	45	S20	100	042	83	S10
61	11	46	S21	101	043	84	S11
62	12	47	S22	102	044	85	S12
63	13	48	S23	103	045	86	S13
64	14	49	S24	104	046	87	S14
65	15	50	S25	105	047	88	S15
66	16	51	S26	106	048	89	S16
67	17	52	S27	107	049	90	S17
68	18	53	S28	108	050	91	S18
69	19	54	S29	109	051	92	S19
70	20	55	S30	110	052	93	S20
71	21	56	S31	111	053	94	S21
72	22	57	S32	112	054	95	S22
73	23	58	S33	113	055	96	S23
74	24	59	S34	114	056	97	S24
75	25	60	S35	115	057	98	S25
76	26	61	S36	116	058	99	S26
77	27	62	S37	117	059	100	S27
78	28	63	S38	118	060	101	S28
79	29	64	S39	119	061	102	S29
80	30	65	S40	120	062	103	S30

- IC1 : UPD784215GC-185
- IC2 : TA78D05AS
- IC3 : S-80837ANUP
- IC4 : NJU7062M
- IC5 : HD140138FP-EL
- IC6 : HD140686FP-EL
- IC7 : LB1848M
- IC101 : UPD16336AGF-38A
- TR1 : 2SA1428(Y)
- TR2-4 : DTC124EK
- TR5,52,56 : 2SC2712(Y)
- TR51 : 2SD2353
- TR55 : 2SC3669(Y)
- TR55 : ZSA1162(Y)
- TR57 : RN1401
- D1 : 1SR154-400
- D3-7 : 1SS226
- D51 : 1SS184
- D52-55 : U1DL44A
- D56 : NSD03A40
- ZD1-9,12,14-17,19,101,102,103,104,105,106,107,108,109,110,111,112,113,114,115,116,117,118,119,120 : MA3055(WA)
- ZD10,11 : 02CZ15-Z
- ZD51,53 : 02CZ15-Z
- ZD52 : PT22.08



KPA-HD100

EXPLODED VIEW



Parts with the exploded numbers larger than 700 are not supplied.

KPA-HD100

PARTS LIST

* New Parts
 Parts without **Parts No.** are not supplied.
 Les articles non mentionnés dans le **Parts No.** ne sont pas fournis.
 Teile ohne **Parts No.** werden nicht geliefert.

Ref. No.	A d d	N e w	Parts No.	Description	De s t i n a
KPA-HD100					
1	1B	*	A02-1499-08	PLASTIC CABINET (ADAPTER)	
2	2A	*	A02-2703-08	PLASTIC CABINET ASSY (DISPLAY)	
3	3B	*	A46-1699-08	REAR COVER (ADAPTER)	
4	3A	*	A46-1700-08	REAR COVER (DISPLAY)	
5	2B	*	A53-1691-08	DUST COVER	
6	2A	*	B19-2075-08	MIRROR ASSY	
-	-	*	B46-0100-50	WARRANTY CARD	
-	-	*	B64-1722-00	INSTRUCTION MANUAL	
10	1A	*	E30-4276-05	CORD WITH PLUG (13P DIN)	
13	2B	*	F19-1376-08	BLIND PLATE	
14	1A	*	H30-0535-08	ADHESIVE DOUBLE-COATED TAPE	
-	-	*	H12-2684-08	PACKING FIXTURE	
-	-	*	H25-1145-08	PROTECTION BAG (120X200X.05)	
-	-	*	H25-1146-08	PROTECTION BAG (150X260X.05)	
-	-	*	H54-1848-08	ITEM CARTON CASE	
15	1A	*	N99-1696-08	SCREW SET	
A	3B	*	N09-4423-08	TAPTITE SCREW (2.3X10.5)	
B	1B	*	N09-4424-08	SEMS (MACHINE SCREW 3X12)	
C	2B	*	N10-2030-46	HEXAGON NUT (M3)	
ELECTRONIC UNIT					
C1			C90-2695-05	ELECTRO 330UF	25WV
C2 ,3			CK73FB1E104K	CHIP C 0.10UF	K
C4			C90-2673-05	ELECTRO 220UF	10WV
C5			CK73FB1E104K	CHIP C 0.10UF	K
C6 ,7			C93-1155-08	CHIP C 0.1UF	Z
C8			C93-1154-08	CHIP C 4700PF	K
C9 ,10			C93-1153-08	CHIP C 18PF	J
C11 ,12			CK73FB1E104K	CHIP C 0.10UF	K
C13			C93-1155-08	CHIP C 0.1UF	Z
C14			C90-2673-05	ELECTRO 220UF	10WV
C15			C93-1155-08	CHIP C 0.1UF	Z
C20			CK73GB1H102K	CHIP C 1000PF	K
C21			C93-1155-08	CHIP C 0.1UF	Z
C22 ,23			C91-2054-05	MF 0.15UF	J
C24			C91-2052-05	MF 0.10UF	J
C25			CK73FB1E104K	CHIP C 0.10UF	K
C26			C90-2549-05	ELECTRO 22UF	6.3WV
C27 -30			CK73GB1H103K	CHIP C 0.010UF	K
C32 ,33			CK73FB1E104K	CHIP C 0.10UF	K
C34 ,35			C93-1155-08	CHIP C 0.1UF	Z
C36			CK73FB1E104K	CHIP C 0.10UF	K
C51			C90-2695-05	ELECTRO 330UF	25WV
C52			C93-1156-08	CHIP C 0.68UF	Z
C53			C91-2178-08	MP-C 0.047UF	100WV
C54 ,55			C90-5351-08	ELECTRO 330UF	25WV
C101			C92-1611-08	CHIP C 10UF	M
C102-104			CK73GB1H102K	CHIP C 1000PF	K
C105,106			C93-1157-08	CHIP C 0.1UF	Z
C107			CK73FB1H104K	CHIP C 0.10UF	K
20	2A	*	E30-4915-08	CORD WITH PLUG	
CN1 ,2		*	E41-0094-08	PIN ASSY	

E: Europe K: North America M: Other Areas
 W: Without Europe

△ indicates safety critical

Ref. No.	A d d	N e w	Parts No.	Description	De s t i n a
CN4		*	E41-0091-08	PIN ASSY	
CN5		*	E41-0092-08	PIN ASSY	
CN101		*	E41-0093-08	PIN ASSY	
F1		*	F53-0177-05	FUSE	
L1		*	L33-1167-08	SMALL FIXED INDUCTOR	J 1/10W
L2		*	L33-1169-08	SMALL FIXED INDUCTOR	J 1/10W
L51		*	L33-1168-08	SMALL FIXED INDUCTOR	J 1/16W
T51		*	L19-0596-08	TRANSFORMER FOR CONVERTER	J 1/16W
X1		*	L78-0822-08	RESONATOR	J 1/16W
J1 -3			R92-2052-05	CHIP R 0	J 1/10W
R1 -20			RK73FB2A101J	CHIP R 100	J 1/10W
R21			RK73GB1J183J	CHIP R 18K	J 1/16W
R22			RK73GB1J103J	CHIP R 10K	J 1/16W
R23 -27			RK73GB1J104J	CHIP R 100K	J 1/16W
R28 ,29			RK73GB1J333J	CHIP R 33K	J 1/16W
R30			RK73GB1J102J	CHIP R 1.0K	J 1/16W
R31 -33			RK73GB1J104J	CHIP R 100K	J 1/16W
R34			RK73GB1J102J	CHIP R 1.0K	J 1/16W
R38			RK73GB1J104J	CHIP R 100K	J 1/16W
R39			RK73GB1J102J	CHIP R 1.0K	J 1/16W
R40			RK73GB1J103J	CHIP R 10K	J 1/16W
R41			RK73FB2A32J	CHIP R 3.3K	J 1/10W
R42 ,43			RK73GB1J104J	CHIP R 100K	J 1/16W
R44			RK73GB1J102J	CHIP R 1.0K	J 1/16W
R45 ,46			RK73GB1J104J	CHIP R 100K	J 1/16W
R48			R92-3223-08	CHIP R 10K	F 1/10W
R51		*	RK73FB2A101J	CHIP R 100	J 1/10W
R52 ,53			RK73FB2A562J	CHIP R 5.6K	J 1/10W
R54			RK73FB2A223J	CHIP R 22K	J 1/10W
R55			RK73FB2A242J	CHIP R 2.4K	J 1/10W
R56			RK73FB2A472J	CHIP R 4.7K	J 1/10W
R57 ,58			RK73FB2A103J	CHIP R 10K	J 1/10W
R59			RK73FB2A333J	CHIP R 33K	J 1/10W
R60			RK73FB2A103J	CHIP R 10K	J 1/10W
R61			RK73FB2A333J	CHIP R 33K	J 1/10W
R62			RK73GB1J104J	CHIP R 100K	J 1/16W
R64			RK73GB1J104J	CHIP R 100K	J 1/16W
R65			RK73GB1J102J	CHIP R 1.0K	J 1/16W
R68 ,69			RK73FB2A101J	CHIP R 100	J 1/10W
R71 -73			RK73GB1J102J	CHIP R 1.0K	J 1/16W
R74 ,75		*	R92-3224-08	CHIP R 22K	F 1/10W
R78 ,79		*	RK73GB1J104J	CHIP R 100K	J 1/16W
R81 ,82		*	R92-3222-08	CHIP R 390	F 1/10W
R83			RK73FB2A103J	CHIP R 10K	J 1/10W
R84 ,85		*	R92-3223-08	CHIP R 10K	F 1/10W
R86 ,87		*	R92-3225-08	CHIP R 300K	F 1/10W
R88			RK73FB2A104J	CHIP R 100K	J 1/10W
R89		*	RK73FB2A103J	CHIP R 10K	J 1/10W
R90 ,91		*	R92-3223-08	CHIP R 10K	F 1/10W
R92 ,93		*	R92-3225-08	CHIP R 300K	F 1/10W
R94			RK73FB2A104J	CHIP R 100K	J 1/10W
R95 ,96			RK73EB2B470J	CHIP R 47	J 1/8W
RT00-103			RK73FB2A101J	CHIP R 100	J 1/10W
RB1 -3			R90-0724-05	MULTI-COMP	1K X4

PARTS LIST

*New Parts

Parts without **Parts No.** are not supplied.

Les articles non mentionnés dans le **Parts No.** ne sont pas fournis.

Teile ohne **Parts No.** werden nicht geliefert.

ELECTRONIC UNIT				
Ref. No.	A N d e d	Parts No.	Description	Destination
RB101		R90-0730-05	MULTI-COMP 33K X4	
RB102		R90-0724-05	MULTI-COMP 1K X4	
D1		1SR154-400	DIODE	
D3		1SS226	DIODE	
D51		1SS184	DIODE	
D52		U1DL44A	DIODE	
D53		U1DL44A	DIODE	
D54,55		U1DL44A	DIODE	
D56	*	NSD03A40	DIODE	
IC1	*	UPD7842T15GC185	MI-COM IC	
IC2		TA78DL05AS	IC	
IC3	*	S-80837ANUP	IC	
IC4	*	NJU7062M	IC	
IC5	*	HD14013BFP-EL	MOS-IC	
IC6	*	HD14066BFP-EL	MOS-IC	
IC7	*	LB1848M	IC	
IC101	*	UPD16306AGF3BA	MOS-IC	
TH101	*	NTH5G20P223J	THERMISTOR	
TR1	*	2SA1429(V)	TRANSISTOR	
TR2-4		DTC124EK	DIGITAL TRANSISTOR	
TR5		2SC2712(Y)	TRANSISTOR	
TR51	*	2SD2353	TRANSISTOR	
TR52		2SC2712(Y)	TRANSISTOR	
TR53,54		2SC3669(Y)	TRANSISTOR	
TR55		2SA1162(Y)	TRANSISTOR	
TR56		2SC2712(Y)	TRANSISTOR	
TR57		RN1401	TRANSISTOR	
VFD101		BH183GN	FLUORESCENT INDICATOR TUBE	
ZD1		MA3056WA	ZENER DIODE	
ZD2		MA3056WA	ZENER DIODE	
ZD3		MA3056WA	ZENER DIODE	
ZD4 -9		MA3056WA	ZENER DIODE	
ZD12		MA3056WA	ZENER DIODE	
ZD14-17		MA3056WA	ZENER DIODE	
ZD51	*	02CZ15-Z	ZENER DIODE	
ZD52	*	PTZ2.0B	ZENER DIODE	
ZD53	*	02CZ15-Z	ZENER DIODE	
ZD101,102		MA3056WA	ZENER DIODE	

E: Europe **K:** North America **M:** Other Areas

W: Without Europe

⚠ indicates safety critical components.

9

KENWOOD follows a policy of continuous advancements in development. For this reason specifications may be changed without notice.

KENWOOD CORPORATION

14-6, Dogenzaka 1-chome, Shibuya-ku, Tokyo 150-8501 Japan

KENWOOD SERVICE CORPORATION

P.O. BOX 22745, 2201 East Dominguez Street, Long Beach, CA90801-5745, U.S.A.

KENWOOD ELECTRONICS CANADA INC.

8070 Kestrel Road, Mississauga, Ontario, Canada L5T 1S8

KENWOOD ELECTRONICS LATIN AMERICA S.A.

P.O. BOX 55-2751, Piso 6, Plaza Chase, Cl. 47 y. Aquilino de la Guardia, Panama, Republic of Panama

KENWOOD ELECTRONICS BRASIL LTDA.

Av. Moema, 170-17, Andar-Cobertura "B", Ed. Maximum Service Center, 04077-020 Moema, São Paulo-SP-Brasil

KENWOOD ELECTRONICS UK LIMITED

Kenwood House, Dwight Road, Watford, Herts, WD1 8EB, United Kingdom

KENWOOD ELECTRONICS DEUTSCHLAND GMBH

Rembrücker-Str. 15, 63150 Heusenstamm, Germany

KENWOOD ELECTRONICS FRANCE S.A.

13, Boulevard Ney, 75018 Paris, France

KENWOOD ELECTRONICS BELGIUM N.V.

Mechelsesteenweg 418, B-1930 Zaventem, Belgium

KENWOOD ELECTRONICS ITALIA S.p.A.

Via G. Sirtori 7/9, 20129 Milano, Italy

KENWOOD IBÉRICA S.A.

Bolivia, 239-08020 Barcelona, Spain

KENWOOD ELECTRONICS AUSTRALIA PTY. LTD. (A.C.N. 001 499 074)

16 Cliffrock Avenue, North Ryde, N.S.W. 2113, Australia

KENWOOD ELECTRONICS (HONG KONG) LTD.

Unit 3712-3724, Level 37, Tower 1, Metroplaza, 223 Hing Fong Road, Kwai Fong, N.T., Hong Kong

KENWOOD ELECTRONICS GULF FZE

P.O. Box 61316, Jebel Ali, Dubai, U.A.E.

KENWOOD ELECTRONICS (THAILAND) CO., LTD.

2019 New Pechburi Road, Bangkapi, Huaykwang, Bangkok, 10320 Thailand

KENWOOD ELECTRONICS SINGAPORE PTE. LTD.

1 Genting Lane, #07-00, Kenwood Building, Singapore, 349544

KENWOOD ELECTRONICS (MALAYSIA) SDN BHD

#4.01 Level 4, Wisma Academy Lot 4A, Jalan 19/1, 46300 Petaling Jaya, Selangor Darul Ehsan, Malaysia